



Cambridge IGCSE™

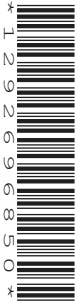
DESIGN & TECHNOLOGY

0445/12

Paper 1 Product Design

May/June 2021

1 hour 15 minutes



You must answer on the two pre-printed A3 answer sheets.

You will need: Two A3 pre-printed answer sheets (enclosed)
Standard drawing equipment
Coloured pencils

INSTRUCTIONS

- Answer **one** question.
- Use an HB pencil for any drawings and a black or dark blue pen for any writing.
- Write your name, centre number and candidate number in the space on **both** pre-printed answer sheets.
- Answer in the space provided on the answer sheets.
- Do **not** use an erasable pen, staples, paper clips, glue or correction fluid.
- Do **not** write on any bar codes.
- You may use a calculator.
- You may use standard drawing equipment, including coloured pencils.
- At the end of the examination, hand in your named A3 answer sheets. Do **not** fasten them together and do **not** punch holes in the sheets or tie with string.

INFORMATION

- The total mark for this paper is 50.
- The number of marks for each question or part question is shown in brackets [].
- All dimensions are in millimetres.

This document has 4 pages.

Answer **one** question only on the A3 pre-printed answer sheets provided.

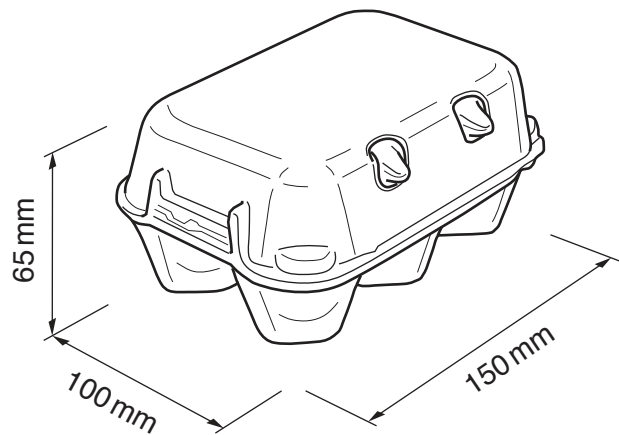
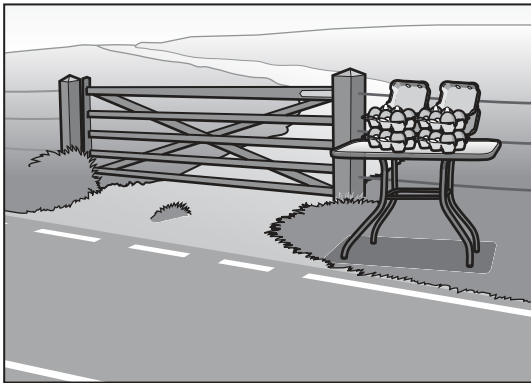
- 1 A farmer's family leave their muddy boots outside the door of the farm house.



Design a storage unit for eight pairs of boots which could be placed outside the farm house. Your design should include a method of removing excess amounts of mud.

- (a) List **four** additional points about the function of such a storage unit that you consider to be important. [4]
- (b) Use sketches and notes to show **two** methods that could be used to protect products from the weather. [4]
- (c) Develop and sketch **three** separate ideas for the storage unit. [12]
- (d) Evaluate your three ideas. Choose **one** idea to develop further and justify your choice. [8]
- (e) Draw, using a method of your own choice, a full solution to the design problem. Include construction details and important dimensions. [12]
- (f) Suggest **two** suitable specific materials for the solution you have drawn in part (e) and give reasons for your choice. [4]
- (g) Outline a method that could be used to manufacture **one** part of your solution drawn in part (e). Include the names of the tools used. [6]

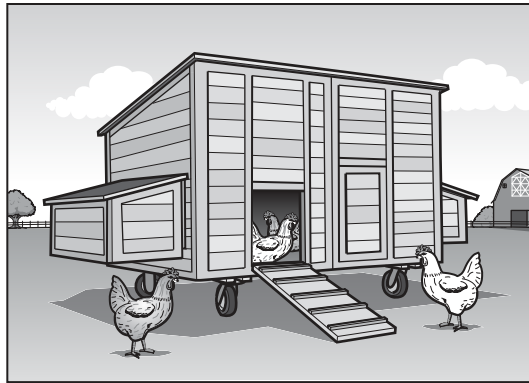
2 A farmer wishes to produce a roadside advertising stand for selling eggs.



Design an advertising stand. The stand should include a moving feature to attract people travelling along the road.

- (a) List **four** additional points about the function of such an advertising stand that you consider to be important. [4]
- (b) Use sketches and notes to show **two** methods that can be used to introduce movement into such an advertising stand. [4]
- (c) Develop and sketch **three** separate ideas for the advertising stand. [12]
- (d) Evaluate your three ideas. Choose **one** idea to develop further and justify your choice. [8]
- (e) Draw, using a method of your own choice, a full solution to the design problem. Include construction details and important dimensions. [12]
- (f) Suggest **two** suitable specific materials for the solution you have drawn in part (e) and give reasons for your choice. [4]
- (g) Outline a method that could be used to manufacture **one** part of your solution drawn in part (e). Include the names of the tools used. [6]

- 3 A farmer wishes to release chickens automatically from a hen house in the morning.



Design a system which will release the chickens automatically each morning.

- (a) List **four** additional points about the function of such a system that you consider to be important. [4]
- (b) Use sketches and notes to show **two** methods of opening and closing an entrance. [4]
- (c) Develop and sketch **three** separate ideas for the system. [12]
- (d) Evaluate your three ideas. Choose **one** idea to develop further and justify your choice. [8]
- (e) Draw, using a method of your own choice, a full solution to the design problem. Include construction details and important dimensions. [12]
- (f) Suggest **two** suitable specific materials for the solution you have drawn in part (e) and give reasons for your choice. [4]
- (g) Outline a method that could be used to manufacture **one** part of your solution drawn in part (e). Include the names of the tools used. [6]

Permission to reproduce items where third-party owned material protected by copyright is included has been sought and cleared where possible. Every reasonable effort has been made by the publisher (UCLES) to trace copyright holders, but if any items requiring clearance have unwittingly been included, the publisher will be pleased to make amends at the earliest possible opportunity.

To avoid the issue of disclosure of answer-related information to candidates, all copyright acknowledgements are reproduced online in the Cambridge Assessment International Education Copyright Acknowledgements Booklet. This is produced for each series of examinations and is freely available to download at www.cambridgeinternational.org after the live examination series.

Cambridge Assessment International Education is part of the Cambridge Assessment Group. Cambridge Assessment is the brand name of the University of Cambridge Local Examinations Syndicate (UCLES), which itself is a department of the University of Cambridge.